



## AmphiTubeX1™

The AmphiTubeX1™ is an amphibious portable lighting system which is low voltage (SELV), intrinsically safe and streamlined in its design. Containing high power LEDs, the tubes are specially sealed for use underwater, tested to 30 metres, and feature a convection cooling system which allow them to be used wet or dry at full power. With numerous mounting options, the AmphiTubeX1™ is a versatile and innovative lighting system.

Along with a colour temperature variable between 2800K and 6200K and separate colour and intensity control for each tube, the AmphiTubeX1™ has a waterproof single-cable power and digital feed which can run from either battery or mains supplies, and has DMX or local control.

Detachable diffusion panels also come standard with the AmphiTubeX1™ which provide further custom options and intensity control.

### 4-Bank Kit Contents

#### Equipment

4 x	PANALUX AMPHITUBE U/W LED BATTEN 24V BI-COL - 1M
4 x	PANALUX AMPHITUBE SINGLE DIFFUSER – OPAL
4 x	PANALUX AMPHITUBE SINGLE MOUNTING PLATE
1 x	PANALUX AMPHITUBE 4-WAY BRACKET
1 x	PANALUX 8-CHANNEL LED DESK/PSU
1 x	PANALUX 6-PIN > 4 x 4-PIN WETCON BREAKOUT BOX
1 x	SPEAKON > 6-PIN WETCON JUMPER
1 x	Flight case

#### Optional Accessories

4-PIN MICRO WETCON U/W EXTN - 15M (Single tube extension cable)
6-PIN WETCON U/W EXTN - 15M (Breakout box extension cable)
6-PIN XLR > 4-PIN MICRO WETCON JUMPER (Single tube to F-stop 8 way jumper)
Maximum cable length from PSU to tube 45m

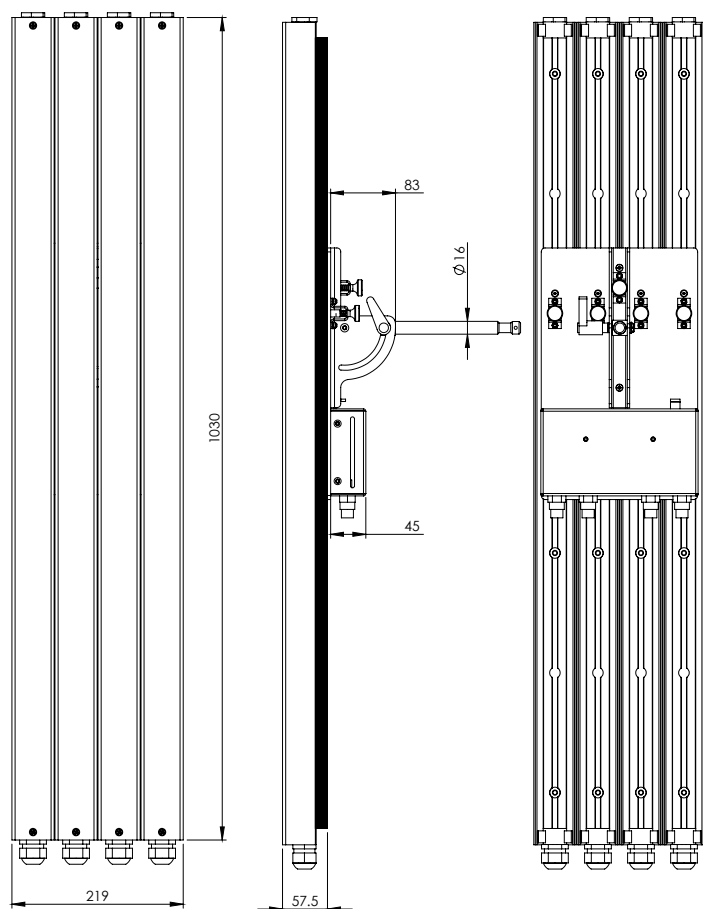


Figure 1

4-bank configuration with diffusers

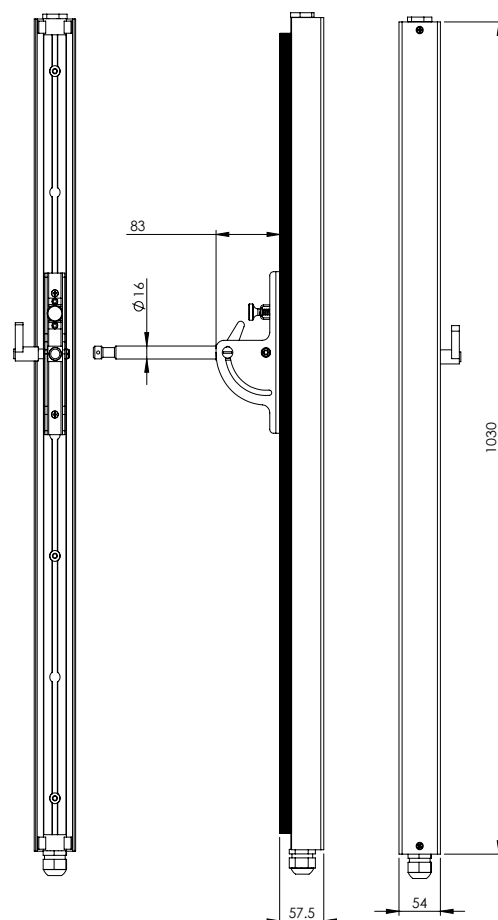


Figure 2

Single tube configuration with diffuser

## Specifications

### Desk/PSU

Inputs	90 – 305VAC, 47 – 63Hz or 24VDC DMX in
Outputs	24VDC + DMX DMX thru
Power	320W
Dims	110 x 145 x 340mm
IP	20

### Single Tube

Voltage	24VDC
Power	60W
Lux	1400@1m
CCT	2800K – 6200K
CRI	95
Dims	1060 x 30 x 45mm
Weight	1.75kg (in air) 0.55kg (in water)
IP	68 (tested to 3 bar)