



Panalux LD:X90 Daylight

The Panalux LD X90 looks and feels just like a traditional compact fresnel fixture however, from within the designer housing the LD's optimised light source delivers flawless, controllable illumination with the full functionality of a conventional lamp, from a simple to use, self contained package.

This highly effective unit delivers cool beam performance as compared with traditional light sources, providing smooth, even illumination, continuously focusable from spot to flood.

Also available as a tungsten matched' unit, this daylight balanced version has a colour temperature of 5600K and operates in an identical fashion to conventional tungsten fixtures without the heightened running temperatures or relatively short lamp life.

Remote operation via the inbuilt DMX interface plus local control allows convenient, full adjustment of output with colour temperature remaining constant across the intensity range.

High performance fresnel fixture

Available with battery or mains power options

DMX interface

Cool operating temperature

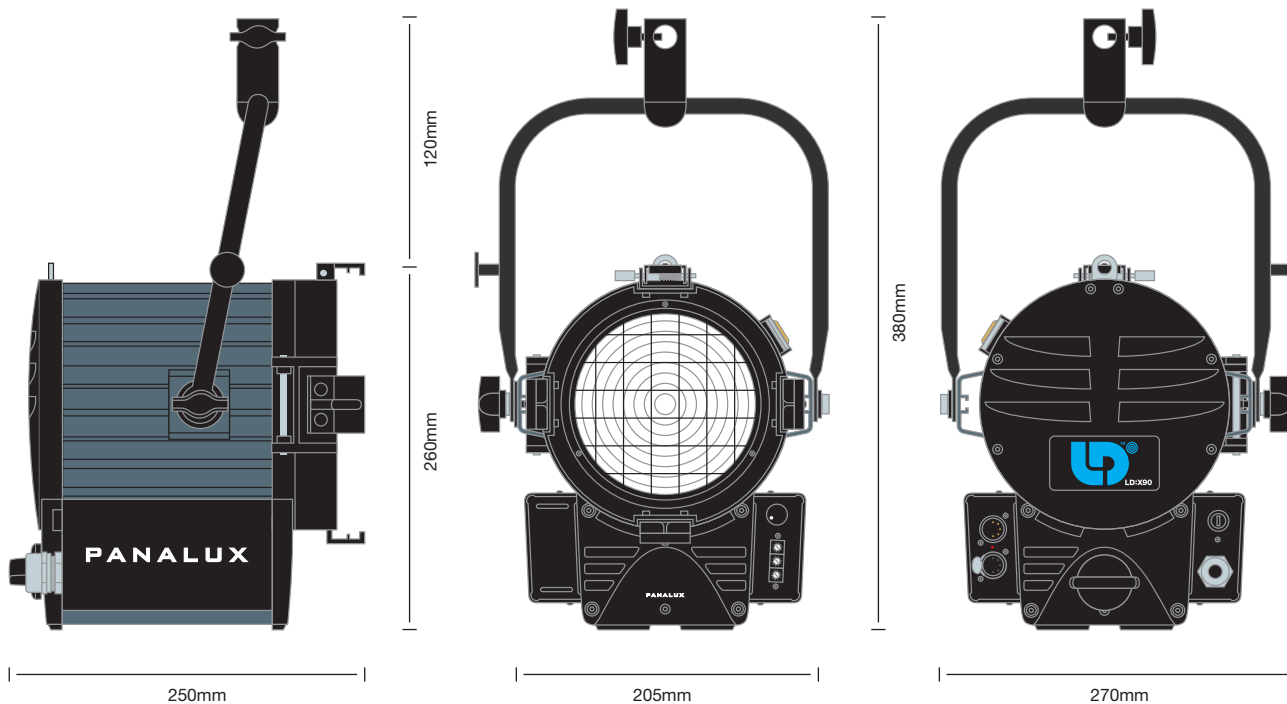
Fully dimmable with no shift in correlated colour temperature

Also available with tungsten balanced light source



PANALUX

Panalux LD:X90 Daylight



Dimensions

Height (fixture): 260mm
 Height (including stirrup): 380mm
 Width: 205mm
 Length: 245mm
 Weight: 4.3kg

Construction

Housing: Aluminum
 Mounting: Stirrup with standard Ø16mm (5/8 inch) socket
 Lens: Ø130mm Fresnel
 Protection rating: IP20
 Connections: Power/data cable: 6 Pin XLR max 30m per unit
 Power Consumption: 65W @ 240V

Optics

Colour temperature: 5600K
 Minimum lamp lifetime: 50,000hrs
 Standard beam angle: 10°-57°
 Light Output (spot): 26,000Lux @ 1m

Thermal

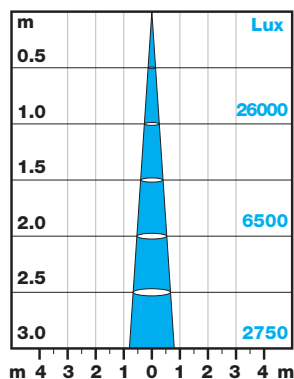
Cooling: Silent; convection cooled
 Maximum ambient temperature 40° C max
 Minimum ambient temperature -5° C min

Accessories

4 leaf rotatable Barn Door (c/w safety bond)
 Scrim Set

Photometrics

Spot



Flood

