



Chroma-Q™ Color Punch™ LED Fixture

**Part No:
CHCP**

S P E C I F I C A T I O N S H E E T

V 1.9

DESCRIPTION

The LED fixture unit shall be suitable for creating a wide range of lighting effects, including blinders, footlights, side fills, truss toners, discreet set piece lighting, interior architectural lighting and temporary exterior lighting applications.

The fixture shall include a single bracket for hanging or floor standing.

The fixture shall provide a bright 1,250 hot lumen output in a compact design.

The fixture shall be IP65 rated.

The fixture shall feature RGB, Fx HSI, St RGBI and DMX Look Select control modes.

The fixture shall feature a built-in stand alone mode.

The fixture shall feature a master/slave mode.

The fixture shall offer a clip on lens media cover accessory.

The fixture shall feature a built-in power supply.

The fixture heatsink shall be manufactured from extruded lightweight material.

FEATURES

- Flexible design - create LED lighting solutions for a wide variety of applications (including touring, rental, TV, theatre, tradeshow, indoor architectural and outdoor) using stock of one generic fixture.
- Broad choice of effects lighting options - e.g. blinders, footlights, side fills, truss toners etc.
- Supplied with versatile Yoke - can be hung or floor standing.
- High output (1250 hot lumens) - for bright washlight results.
- IP65 rated.
- Choice of RGB, Fx HSI, St RGBI and DMX Look Select control modes.
- Built-in power supply and choice of playback looks - no need for additional hardware & cabling.
- Choice of standalone or DMX control - for maximum versatility.
- No fans, convection cooled - for completely silent operation.
- Tough machined aluminium & high impact plastic casing - suitable for use on even the most demanding lighting applications.
- Smooth linear dimming curve.
- Exceptional colour brightness and light output levels.
- Lamplife of up to 25,000 hrs - very low maintenance and cost of ownership.

OVERALL SPECIFICATIONS

Net dimensions (without fixings):	Width (A): 213mm / 8.4" Height (B): 153mm / 6" Depth (C): 180mm / 7.1"
Net weight:	3.5kg / 7.7lbs
Shipping dimensions:	Width: 260mm / 10.3" Height: 259mm / 10.2" Depth: 227mm / 9"

OVERALL SPECIFICATIONS cont.

Shipping weight:	3.9kg / 8.7lbs
LED cells:	1
LEDs per cell:	12 x RGB (36)
Total LEDs:	36
Hot lumen output:	Red 470 hot lumen Green 1,100 hot lumen Blue 112 hot lumen White 1,250 hot lumen
Control modes:	RGB 3 channel, Fx HSI 4 channel, St RGBI 5 channel & DMX Look Select 1 channel
Variable effects engine:	Yes
Effects parameters:	Strobe, colour roll, speed, intensity Fx.
Stand-alone mode:	Yes
Optics:	Specialised close focus lens
Beam angle:	22°
Advanced beam spreading technology:	Yes
Distribution:	Symmetrical direct illumination
CCT:	Adjustable 1,000-10,000K
Colour gamut:	Performance enhanced
Lamp life:	L70 up to 50,000 hours
IP rating:	IP65
Mains connector:	1m trailing
Power consumption:	Standby: 5W Max: 81W
Power input:	90-250V AC, 49 to 63Hz, 1A @ 120VAC
Built-in power supply:	Yes
Control types:	ANSI E1.1 DMX-512A
DMX connector in/out:	XLR5 1m trailing, DMX-512A
Cooling system:	Convection
Colour:	Black anodised
Accessories included:	Yoke
Approvals:	EN55103-1 & 2, IEC60950

ORDERING INFORMATION

Model	Part No
Chroma-Q Color Punch - black	CHCP

ACCESSORIES

Model	Part No
Clip-on lens media cover	tbc



www.chroma-q.com



HQ, UK & International Sales
A.C. Entertainment Technologies Ltd.
Tel: +44 (0)1494 446000
Fax: +44 (0)1494 461024
sales@ac-et.com
www.ac-et.com

Northern UK Sales
A.C. Entertainment Technologies Ltd.
Tel: 0113 255 7666
Fax: 0113 255 7676
acnorth@ac-et.com
www.ac-et.com

North American Sales
A.C. Lighting Inc.
Tel: 416-255-9494
Fax: 416-255-3514
northamerica@aclighting.com
www.aclighting.com

Asian Sales
A.C. Lighting Asia KK
Tel: +81 (0)48-475-9377
Fax: +81 (0)48-475-9355
sales@aclighting.jp
www.aclighting.jp

All Chroma-Q LED products are licensed by Color Kinetics. Chroma-Q and all associated product names are recognised trademarks, for more information visit www.chroma-q.com/trademarks. The rights and ownership of all trademarks are recognised. The information contained herein is correct at the time of printing, however as we are constantly refining our product range we reserve the right to change the specification without notice. E60E.

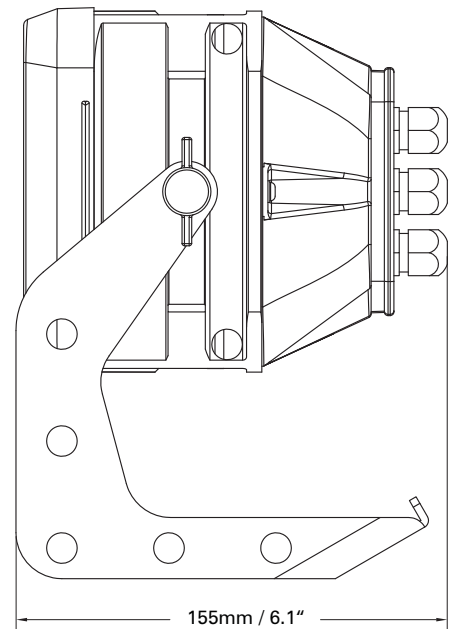
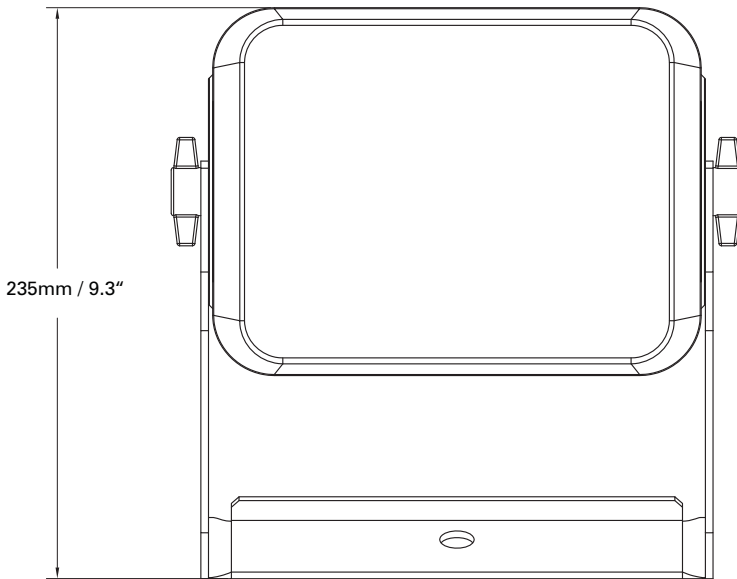
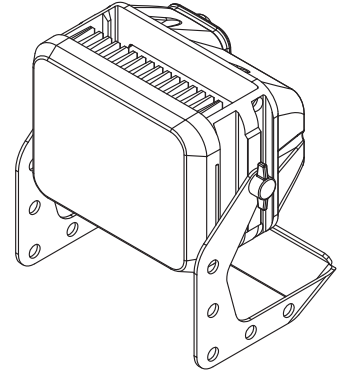
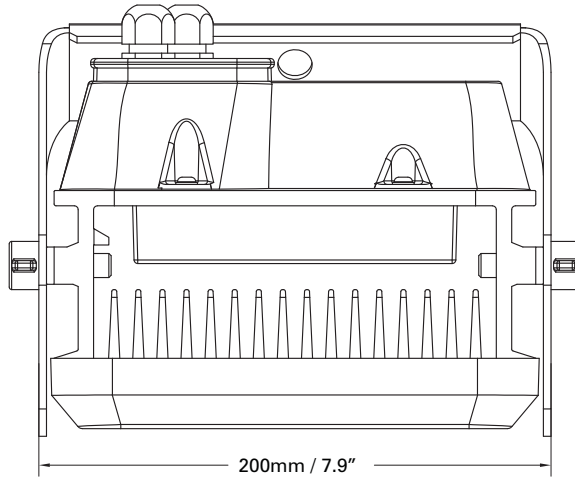


Chroma-Q™ Color Punch™ LED Fixture

Part No:
CHCP

S P E C I F I C A T I O N S H E E T

V 1.9



www.chroma-q.com



HQ, UK & International Sales

A.C. Entertainment Technologies Ltd.
Tel: +44 (0)1494 446000
Fax: +44 (0)1494 461024
sales@ac-et.com
www.ac-et.com

Northern UK Sales

A.C. Entertainment Technologies Ltd.
Tel: 0113 255 7666
Fax: 0113 255 7676
acnorth@ac-et.com
www.ac-et.com

North American Sales

A.C. Lighting Inc.
Tel: 416-255-9494
Fax: 416-255-3514
northamerica@aclighting.com
www.aclighting.com

Asian Sales

A.C. Lighting Asia KK
Tel: +81 (0)48-475-9377
Fax: +81 (0)48-475-9355
sales@aclighting.jp
www.aclighting.jp

All Chroma-Q LED products are licensed by Color Kinetics. Chroma-Q and all associated product names are recognised trademarks, for more information visit www.chroma-q.com/trademarks. The rights and ownership of all trademarks are recognised. The information contained herein is correct at the time of printing, however as we are constantly refining our product range we reserve the right to change the specification without notice. EGOE.